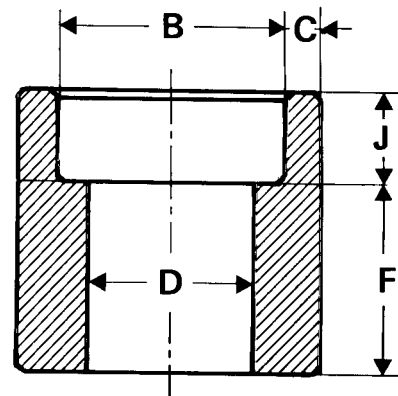
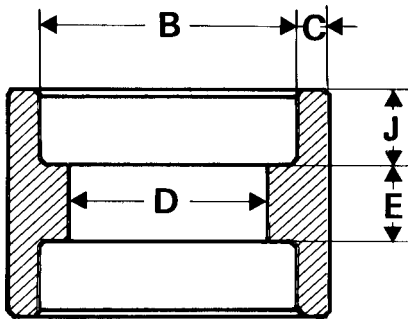


ANSI B 16.11

Full & Half Couplings

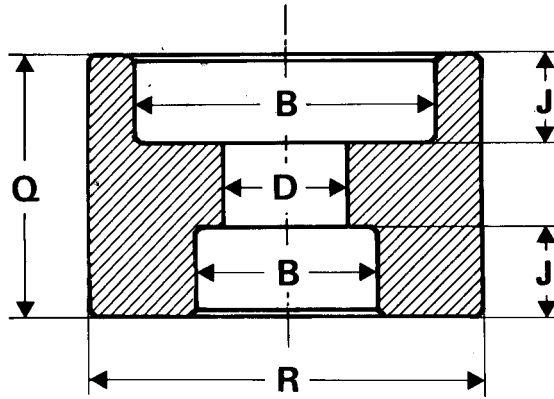
3000 / 6000 Lbs



Nominal Pipe Size	Full Couplings - E						Half Couplings - F					
	3000		6000		Tol. +/-		3000		6000		Tol. +/-	
	mm	inches	mm	inches	mm	inches	mm	inches	mm	inches	mm	inches
1/4	6.5	0.25	6.5	0.25	1.5	0.06	16.0	0.62	16.0	0.62	1.0	0.03
3/8	6.0	0.25	6.0	0.25	3.0	0.12	17.5	0.69	17.5	0.69	1.5	0.06
1/2	9.5	0.38	9.5	0.38	3.5	0.12	22.5	0.88	22.5	0.88	1.5	0.06
3/4	9.5	0.38	9.5	0.38	3.5	0.12	23.5	0.94	23.5	0.94	1.5	0.06
1	13.0	0.50	13.0	0.50	4.0	0.16	29.0	1.12	29.0	1.12	2.0	0.08
1.1/4	13.0	0.50	13.0	0.50	4.0	0.16	30.0	1.19	30.0	1.19	2.0	0.08
1.1/2	13.0	0.50	13.0	0.50	4.0	0.16	32.0	1.25	32.0	1.25	2.0	0.08
2	19.0	0.75	19.0	0.75	4.0	0.16	41.0	1.62	41.0	1.62	2.0	0.08
2.1/2	19.0	0.75	19.0	0.75	5.0	0.20	42.5	1.69	42.5	1.69	2.5	0.10
3	19.0	0.75	19.0	0.75	5.0	0.20	44.5	1.75	44.5	1.75	2.5	0.10
4	19.0	0.75	19.0	0.75	5.0	0.20	47.5	1.88	47.5	1.88	2.5	0.10

ANSI B 16.11

Reducing Couplings
3000 / 6000 Lbs

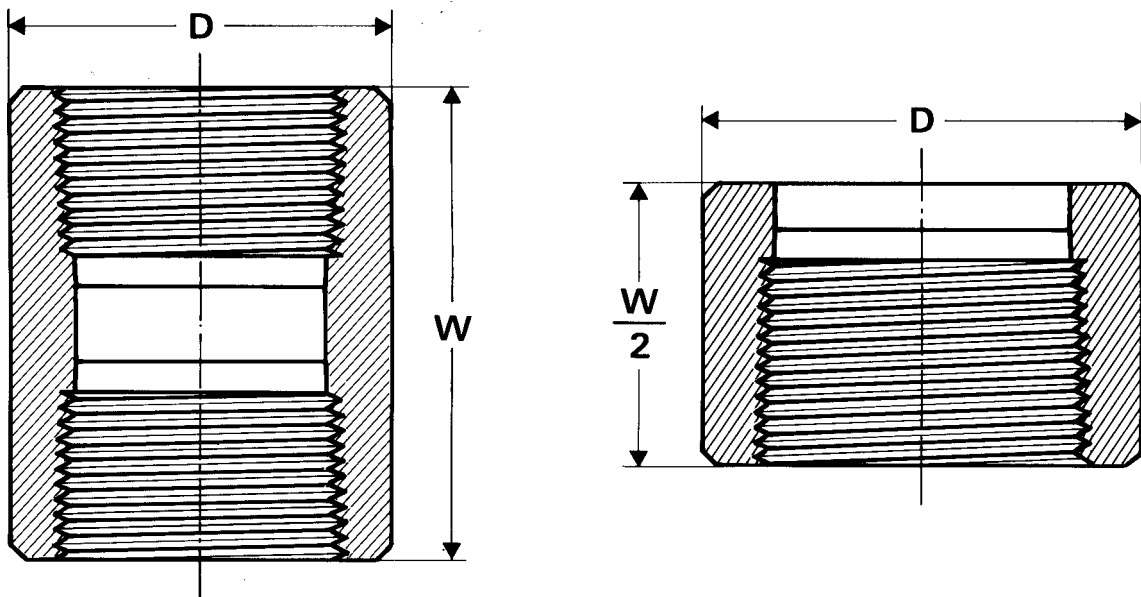


Nominal Pipe Size	3000				6000			
	Q		R		Q		R	
	mm	inches	mm	inches	mm	inches	mm	inches
3/8x1/4	25.4	1.00	24.9	0.98	25.4	1.00	26.7	1.05
1/2x3/8	28.7	1.13	31.0	1.22	28.7	1.13	33.0	1.30
1/2x1/4	28.7	1.13	31.0	1.22	28.7	1.13	33.0	1.30
3/4x1/2	35.0	1.38	36.0	1.42	35.0	1.38	40.1	1.58
3/4x1/4	35.0	1.38	36.0	1.42	35.0	1.38	40.1	1.58
1x3/4	38.1	1.50	45.2	1.78	38.1	1.50	50.0	1.97
1x1/2	38.1	1.50	45.2	1.78	38.1	1.50	50.0	1.97
1x1/4	38.1	1.50	45.2	1.78	38.1	1.50	50.0	1.97
1.1/4x1	38.1	1.50	55.1	2.17	38.1	1.50	57.9	2.28
1.1/2x1	38.1	1.50	60.0	2.36	38.1	1.50	65.0	2.56
1.1/2x3/4	38.1	1.50	60.0	2.36	38.1	1.50	65.0	2.56
1.1/2x1/2	38.1	1.50	60.0	2.36	38.1	1.50	65.0	2.56
2x1.1/2	51.3	2.02	74.9	2.95	51.3	2.02	82.0	3.23
2x1	51.3	2.02	74.9	2.95	51.3	2.02	82.0	3.23

ANSI B 16.11

Half & Full Couplings

3000 / 6000 Lbs



Nominal Pipe Size	3000				6000			
	W		D		W		D	
	mm	inches	mm	inches	mm	inches	mm	inches
1/4	35	1.38	19	0.75	35	1.38	25	1.00
3/8	38	1.50	22	0.88	38	1.50	32	1.25
1/2	48	1.88	29	1.12	48	1.88	38	1.50
3/4	51	2.00	35	1.38	51	2.00	44	1.75
1	60	2.38	44	1.75	60	2.38	57	2.25
1.1/4	67	2.62	57	2.25	67	2.62	64	2.50
1.1/2	79	3.12	64	2.50	79	3.12	76	3.00
2	86	3.38	76	3.00	86	3.38	92	3.62
3	92	3.62	92	3.62	92	3.62	108	4.25
4	108	4.25	108	4.25	108	4.25	127	5.00
	121	4.75	140	5.50	121	4.75	159	6.25